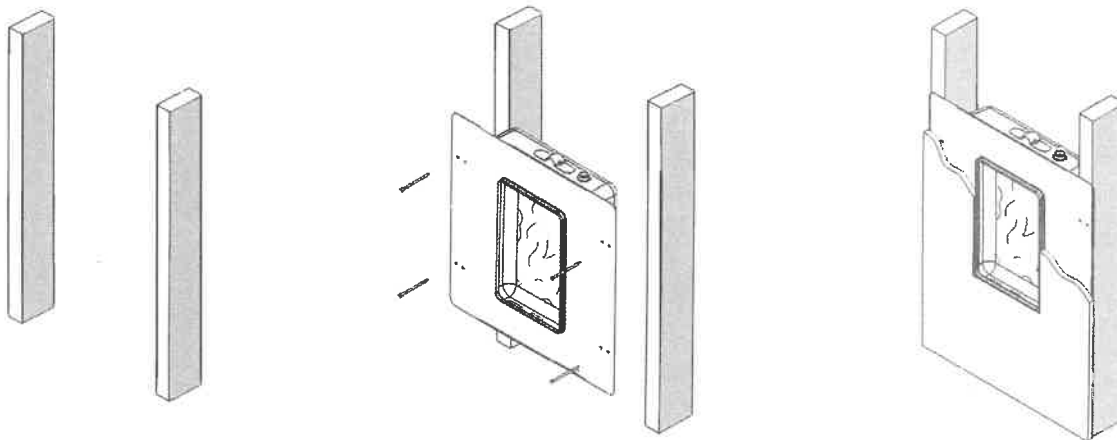


Metal Enclosure Installation Instructions



INTRODUCTION

Thank you for purchasing a Klipsch fire rated Metal Enclosure.

PARTS LIST

Each Metal Enclosure package includes the following items:

- (1) Fire rated Metal Enclosure
- (1) UL-rated wire clamp
- (1) Instruction Sheet

INSTALLATION

1. Run speaker wire to desired speaker locations.
2. Remove Metal Enclosure and wire clamp from packaging.
3. Install wire clamp connector into appropriate knock-out location in Metal Enclosure.
4. Attach Metal Enclosure to studs or joists. Use at least 4 screws per Metal Enclosure. Attach appropriate support to tab if required in your area.
5. Insert wire through wire clamp into the fire rated Metal Enclosure. Leave enough slack to easily connect the speaker.
6. The color-coded flange on the front of the Metal Enclosure will function as a cut-out guide during drywall installation.
7. Once the drywall installation is complete, the speaker can be installed. Follow the instructions included with the speakers for proper installation.

TESTED TO COMPLY WITH:

UL 263
ASTM E119-98
NFPA 251
UBC 7-1
ULC CAN/ULC-S101-M89

*Leave this instruction sheet inside the enclosure for inspection use.

